



Nanjing Jiucheng Technology Co., Limited.

DIGITAL PRESSURE GAUGE



Digital Pressure Gauge

Remote Digital Pressure Gauge

Intelligent Digital Pressure Gauge

High-precision Intelligent Digital Pressure Gauge

Intelligent Digital Display Pressure Controller / Switch

JC460 Digital Pressure Gauge

Application

- Equipment automation
- Replace pointer pressure gauge
- Energy and heat supply
- Mechanical electronics industry
- Hydraulic and pneumatic systems
- Pressure data collection of water pipe network and natural gas pipe network
- Engineering machinery
- Pump and compressor
- Instrumentation
- Water treatment system
- Portable pressure measurement



Product Features

- Display range
- Zero error can be cleared with one click
- Four-digit LCD screen displays pressure in real time
- With percentage scale bar, visual display of current pressure percentage
- Battery-powered, low-power design can last up to 18 months
- Wide operating temperature range, high comprehensive measurement accuracy, and good long-term stability
- One-button switching of multiple units: MPa, bar, kgf / cm², psi, kPa
- 304 stainless steel dial with an outer diameter of 60mm, Choice of axial and radial installation

Product Description

JC460 digital pressure gauge is a cost-effective and low-power pressure measuring instrument specially designed for standard customers. Equipped with LCD liquid crystal display, with a variety of functions, such as zero reset, backlight, Power on / off, unit switching, low voltage alarm and other functions, simple operation and easy installation.

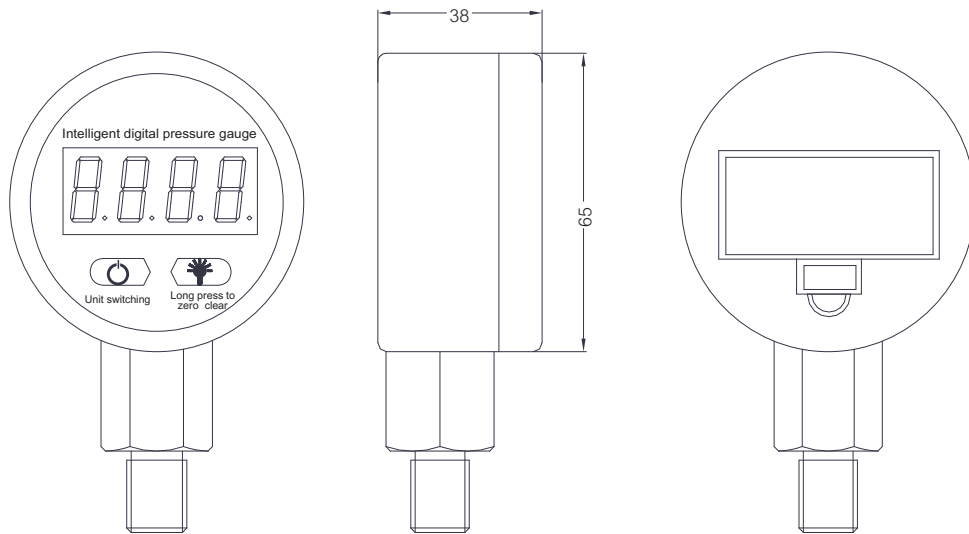
JC460 digital pressure gauge is a compact and economical digital pressure gauge with integrated pressure measurement and display. With anti-vibration, good stability, can be cleared, automatic standby and so on. It is battery-powered. Due to the low-power processor chip, it has a long battery life. It has automatic standby and one-click reset functions. It is easy to use and can replace mechanical pressure gauges for portable pressure measurement, equipment matching, pressure vessels, Fire protection network management, automation equipment, laboratory equipment and other fields.

Performance Parameter

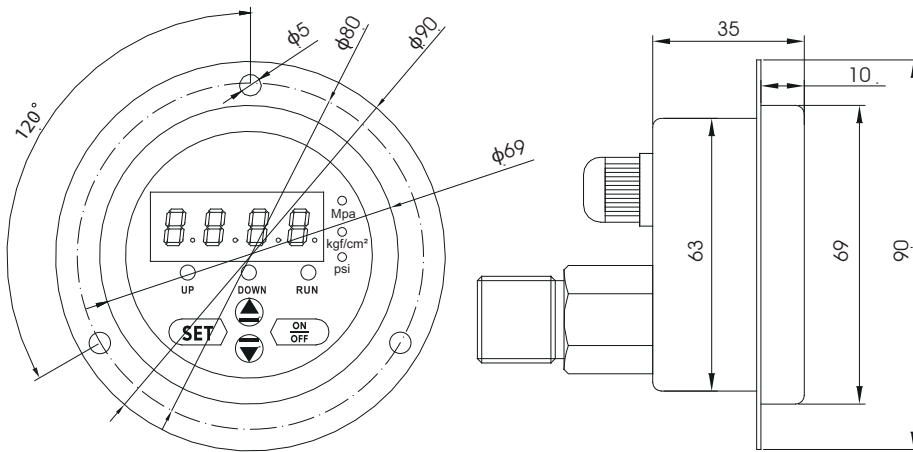
Measuring Range	Negative pressure range: -100kPa~0 Micro pressure range: 100...160...250kPa Medium pressure range: 0.4...0.6...4MPa High pressure range: 6...10...25MPa Differential pressure range: 0~10...25...40...60...100...250...400...600kPa, 0~1...1.6MPa
Overload Capability	1.5 times full-scale pressure
Pressure Type	Diaphragm differential pressure 200%(Positive overpressure);100%(Negative overpressure); Single crystal silicon differential pressure 16MPa
Measuring Medium	Gauge pressure、 Differential pressure Gas or liquid compatible with 316 or 304 stainless steel
Accuracy	±1%FS (within 0 C ~40 C) Battery type ±0.5%FS Power supply type
Long-term Stability	Typical: ±0.2%FS/year Maximum: ±0.5%FS/year
Working Temperature	-10 ~ 60 C
Power Supply	2-AA batteries、 24VDC
Power Consumption	<0.001W battery
Dimension	Diameter 60mm, Thickness 38mm
Back Light	White backlight
Power Display	Four-segment display
Display Digits	4-LCD display
Electromagnetic Compatibility	Anti-electromagnetic interference design
Shell Protection	IP50(IP54+protective cover)
Weight	Approx. 0.2kg
Interface and Housing	304 stainless steel
Installation Interface	M20*1.5 male G1/4male or customized
Battery replacement	The battery is usually replaced every 12--24 months (based on actual power consumption)
Features	1. Power on / off 2. One-click reset 3. Backlight 4. Unit switching
Certificate	CE Intrinsically Explosion-proof

JC460 Digital Pressure Gauge

Dimension Drawing : Unit mm



RADIAL



AXIAL

Thread Option							
customized thread	M20x1.5	G1/4	1/4NPT	G1/2	50.5	67	73.6

Pressure measuring end structure is different for special thread/range /application

JC460 Digital Pressure Gauge

Ordering Information

Model : JC460		
Technical Parameter	Code	Description
Pressure Type	G	Gauge Pressure
	D	Differential Pressure
Pressure Range		0~ X E.g 0~1MPa
Accuracy	0	±1%FS
	1	±0.5%FS
Power Supply	V1	Battery
	V2	24VDC
Dial Size	D1	60mm
Pressure Connection	F1	M20x1.5 male thread
	F2	G1/4 male thread
	F0	Customized
Installation Structure	J	Radial installation (default)
	Z	Axial installation(Power supply)
Additional Selection	P	Flush film manometer structure
	R	Anti-corrosion
	E	Intrinsically Explosion-proof

Model selection example: **JC460G (0 ~ 1MPa) -1-V1-D2-F2- J**

Parameter description: JC460 intelligent digital pressure gauge; Range: 0-1MPa gauge pressure; Accuracy: 0.5% FS; Power supply: battery powered; Dial Dimensions: 60 mm; Pressure connection: G1 / 4 male thread; Installation: Radial installation.

Selection tips:

1. Axial installation requires power supply such as 24VDC
2. The Measuring Medium should be compatible with the product materials in contact.
3. There may be unsupported product options, please consult the engineer
4. For other special requirements, please consult with the company and indicate in the order

JC460S Remote Digital Pressure Gauge

Application

- Equipment automation
- Replace pointer pressure gauge
- Energy and heat supply
- Mechanical electronics industry
- Hydraulic and pneumatic systems
- Pressure data collection of water pipe network and natural gas pipe network
- Engineering machinery
- Pump and compressor
- Instrumentation
- Water treatment system
- Portable pressure measurement

Product Features

- Zero error can be cleared with one click
- Display digits, pressure units selectable
- High accuracy, long transmission distance and stable performance
- Isolated current, isolated output, strong anti-interference, anti-reverse protection
- Replace traditional pointer remote pressure gauge or pressure transmitter
- Baud rate 2400/4800/9600/19200/38400/57600 optional
- Wide operating temperature range, high comprehensive measurement accuracy, and good long-term stability
- One-button switching of multiple units: MPa, bar, kgf / cm², psi, kPa
- 304 stainless steel dial with an outer diameter of 60mm, Choice of axial and radial installation
- High degree of intelligence, users can set the address, baud rate, filter constant, re-check, etc. by themselves
- Optional 4-20mA or RS485 signal output standard MODBUS RTU communication protocol



Product Description

JC460S Remote Digital Pressure Gauge is a cost-effective pressure measuring instrument specially designed for standard customers. With 4~20mA or RS485 signal output for option. Equipped with 4-digit digital display, with zero reset, backlight, Power on / off, unit switching, multiple functions, simple operation and easy installation.

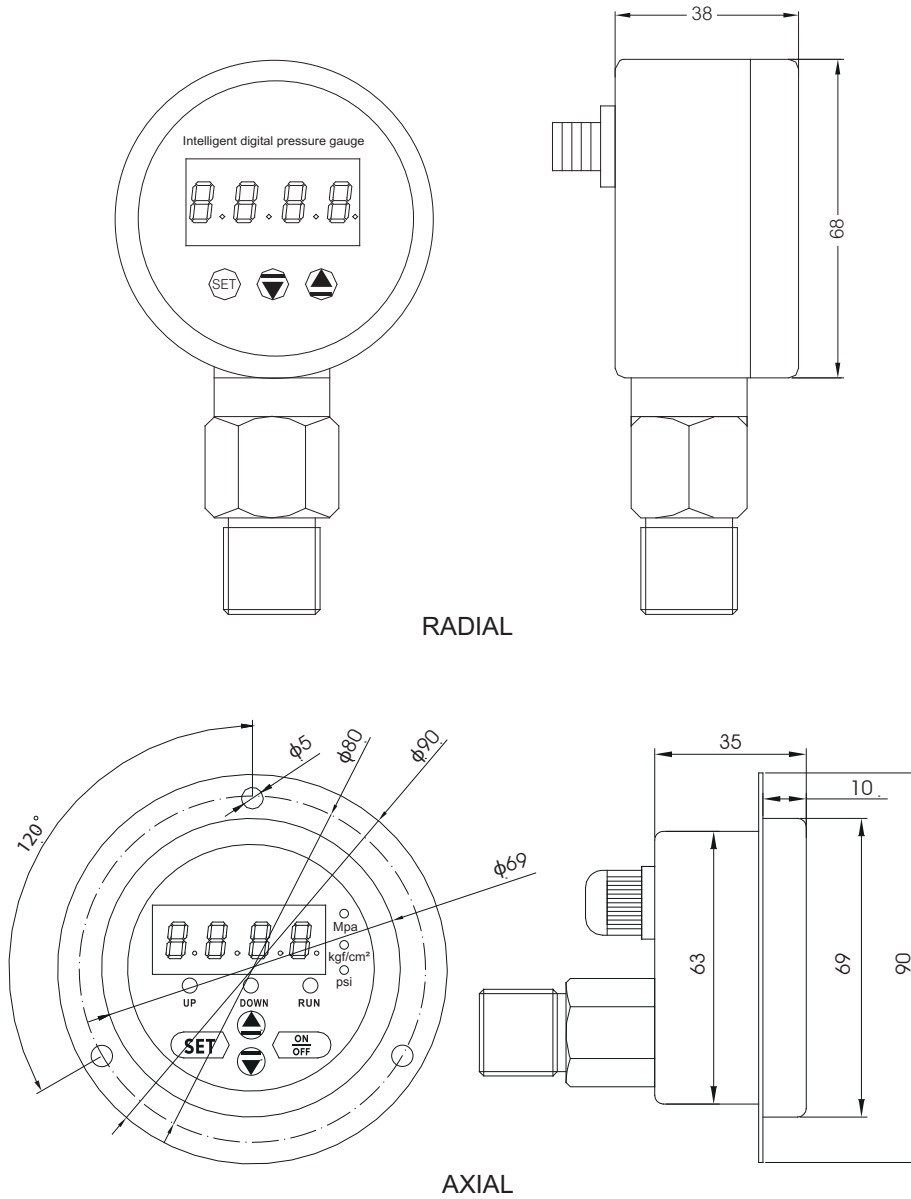
JC460S is a compact and economical digital pressure gauge with integrated pressure measurement and display. The pressure can be displayed in real time, and the pressure signal can be transmitted remotely at the same time, and the transmission distance is more than 500 meters. The built-in high-stability pressure sensor has powerful functions. Users can change the pressure unit, calibrate the zero error, and modify the filter constant. With anti-vibration, good stability, can be cleared and so on. The remote digital pressure gauge adopts a 304 stainless steel housing and connector, with IP65 waterproof cable outlet. It has a wide range of applications in various fields such as equipment matching, pressure vessels, fire network management, automation equipment, and laboratory equipment.

Performance Parameter

Measuring Range	Vacuum pressure range: 0~-100kPa Composite pressure range: -0.1~0.1MPa、-0.1~0.25MPa、-0.1~0.4MPa、-0.1~0.6MPa -0.1~1.0MPa、-0.1~2.5MPa、-5~5kPa、-10~10kPa、-25~25kPa、-50~50kPa Micro pressure range: 0~5kPa~10kPa~25kPa~50kPa~100kPa Normal pressure range: 0~160kPa~250kPa~400kPa~600kPa~1MPa~1.6MPa ... ~90MPa
Overload Capability	1.5 times full-scale pressure
Pressure Type	Gauge pressure、 Negative pressure
Measuring Medium	Gas or liquid compatible with 316 or 304 stainless steel
Accuracy	±0.5%FS ±0.25%FS
Response Time	≦2ms
Long-term Stability	Typical: ±0.3%FS/year
Zero Temperature Drift	Typical: ±0.02%FS/°C, Maximum±0.05%FS/°C
Sensitivity Temperature Drift	Typical: ±0.02%FS/°C, Maximum±0.05%FS/°C
Working Temperature	-20~80 C
Compensation Temperature	-10~70 C
Storage Temperature	-40~100 C
Power Supply	12-28V (24VDC recommended)
Power Consumption	<0.4W
Dimension	Diameter 60mm, Thickness 38mm
Signal Output	Analog output 4 ~ 20mA or digital output RS485
Transmission Distance	≥500m
Display	4-digit LCD display 4 ~ 20mA; 4-digit LED display RS485
Electromagnetic Compatibility	Anti-electromagnetic interference design
Shell protection	IP65
Weight	Approx. 0.2kg
Interface and Housing	304 stainless steel
Installation Interface	M20*1.5 male、 G1/4male、 NPT1/4 male or customized
Features	1. Power on / off 2. One-click reset 3. Backlight 4. Unit switching

JC460S Remote Digital Pressure Gauge

Dimension Drawing: Unit mm



Thread Option							
customized thread	M20x1.5	G1/4	1/4NPT	G1/2	50.5	67	73.6

Pressure measuring end structure is different for special thread/range/application

JC460S Remote Digital Pressure Gauge

Ordering Information

Model : JC460S		
Technical Parameter	Code	Description
Pressure Type	G	Gauge type、 Negative pressure
Pressure Range		0~ X E.g: 0~1MPa
Accuracy	1	±0.5%FS
	2	±0.25%FS
Output	A	4~20mA
	R	RS485
Power Supply	V2	24VDC
Dial Size	D1	60mm
Pressure Connection	F1	M20x1.5 male thread
	F2	G1/4 male thread
	F0	Customized
Electrical Connection	B	Cable lock with 0.3 m
	C	Aviation plug (default)
Installation Structure	J	Radial installation (default)
	Z	Axial installation(Power supply)
Additional Selection	P	Flush film manometer structure
	R	Anti-corrosion
	T	Special

Model selection example: **JC460S-G (0~1MPa) -1-A -V2-D2-F2-B-J**

Parameter description:JC460S Remote Digital Pressure Gauge; Range: 0-1MPa gauge pressure; Accuracy: 0.5%FS; Output: 4-20mA; Power supply: 24VDC ; Dial Dimensions: 60mm; Pressure connection: G1/4male thread; Electrical connection: cable lock; Installation: Radial installation.

Selection tips:

1. The Measuring Medium should be compatible with the product materials in contact.
2. There may be unsupported product options, please consult the engineer
3. For other special requirements, please consult with the company and indicate in the order

JC480 Intelligent Digital Pressure Gauge

Application

- Equipment automation
- Medical equipment
- Energy and heat supply
- Pressure laboratory
- Hydraulic and pneumatic systems
- Water treatment system
- Acquisition, storage and analysis of wellhead pressure data in oil fields and gas fields
- City water network, natural gas network pressure data collection, storage, analysis
- Laboratory digital communication collects pressure, and realizes data storage and processing on a computer
- Portable pressure measurement, equipment supporting, calibration equipment and other pressure measurement fields
- Engineering machinery
- Pump and compressor
- Instrumentation
- Mechanical electronics industry
- Replace pointer precision pressure gauge



Product Features

- Zero error can be cleared with one click
- 4-digit LCD screen displays pressure in real time
- Battery-powered, low-power design can last up to 12-24 months
- With maximum and minimum record function, used as peak record
- Wide measuring range: from vacuum to 160MPa, display range when starting
- Wide operating temperature range, high comprehensive measurement accuracy, and good long-term stability
- The pressure value can be collected and stored regularly. The collection frequency can be set from 1 second to 9999 seconds.
- 304 stainless steel dial with an outer diameter of 80mm. Choice of axial and radial installation
- Instead of pointer precision pressure gauge, it can be used as standard pressure gauge for checking pressure products and equipment
- Excellent corrosion resistance, impact resistance, and overload, vibration and wear resistance
- One-button switching of 11 units: MPa, bar, kgf / cm², psi, kPa, mHzO, mmHg, mbar, mmH₂O, Pa, torr
- Can store up to 10,000 pieces of data
- USB data export function, supporting reading software
- With percentage scale, visual display of current pressure percentage

Product Description

JC480 Intelligent digital pressure gauge is specially designed for high-end supporting customers with high standards. It uses ultra-high-precision and stable pressure sensors. It is a high-precision low-power intelligent pressure measuring instrument.

JC480 is equipped with a large-size LCD liquid crystal display with Dial 80mm. It has various functions such as zero reset, backlight, power on / off, unit switching, low-voltage alarm, etc. It is easy to operate and easy to install. Support optional timing acquisition data storage, support USB data export, can store up to 10,000 pieces of data. Currently passed CE \ CPA \ Ex explosion and RoHS certifications.

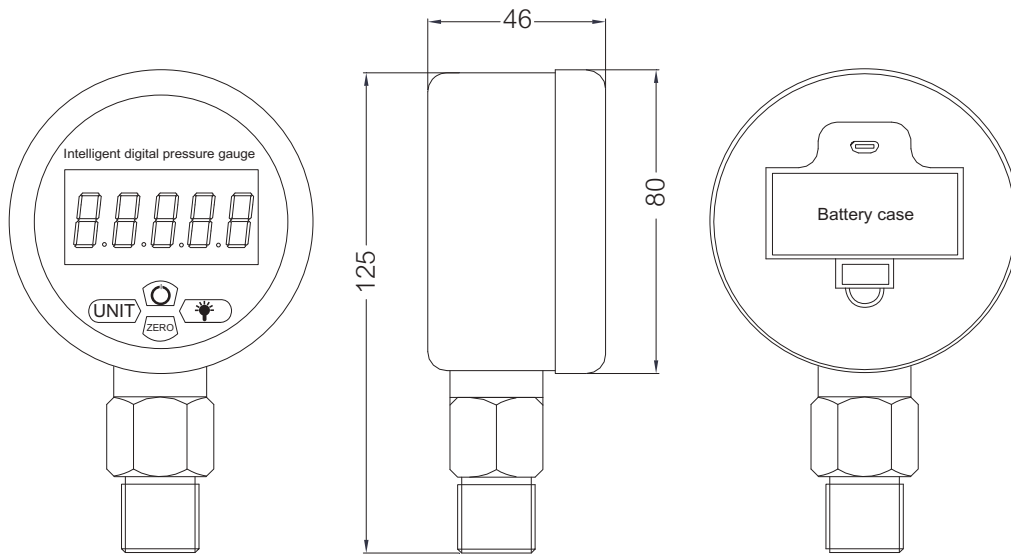
JC480 is a high-precision pressure gauge with integrated pressure measurement and display. It has the characteristics of anti-vibration, high display accuracy, high stability, clearable, and automatic standby. Powered by battery. Due to the low-power processor chip, it has a long battery life. With automatic standby and one-click reset functions. It is easy to use and can replace mechanical pressure gauges for portable pressure measurement, equipment matching, and standard pressure calibration. Inspection equipment and other fields.

Performance Parameter

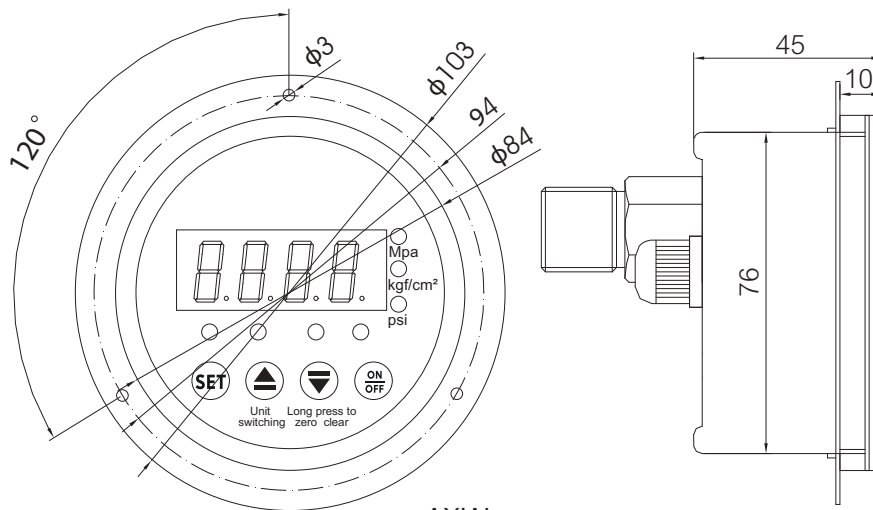
Measuring Range	Micro pressure range: 6kPa...10kPa...25kPa Medium pressure range: 0.4MPa...0.6MPa...4MPa High pressure range: 6MPa...10MPa...25MPa Ultra high pressure range: 40MPa...60MPa...160MPa	Composite pressure range: -5kPa ~5kPa...10kPa...100kPa ~1000kPa Absolute pressure range: 0~100kPa...250kPa...1000kPa Differential pressure range: 0~10kPa...25...40...60...100...250...400...600kPa 0~1...1.6MPa
Overload Capability	1.5 times full-scale pressure (1.1 times full-scale pressure for ≥100MPa) Diaphragm differential pressure 200%(Positive overpressure); 100%(Negative overpressure); Single crystal silicon differential pressure 16MPa	
Pressure Type	Gauge pressure, Differential pressure, Absolute Pressure	
Measuring Medium	Gas or liquid compatible with 316 or 304 stainless steel	
Accuracy	±0.2%FS ±0.4%FS	
Long-term Stability	Typical: ±0.2%FS	
Working Temperature	-10~ 70 C. (High temperature can be customized)	
Power Supply	2-AA batteries, 24VDC, 220VAC, 380VAC (customized)	
Power Consumption	<0.005W Battery	
Dimension	Diameter 80mm, Thickness 48mm	
Back Light	White backlight	
Power Display	Four-segment display	
Display Digits	4-LCD display	
Electromagnetic Compatibility	Anti-electromagnetic interference design, in accordance with EN61326 standard	
Data Memory	Permanent EEPROM ,S option	
Shell protection	IP50(IP54+protective cover)	
Weight	Approx.0.3kg	
Interface and Housing	304 stainless steel	
Installation Interface	M20*1.5male G1/4male NPT1/4male	
Battery replacement	The battery is usually replaced every 12--24 months (based on actual power consumption)	
Features	1. Power on / off 2. One-click reset 3. Maximum and minimum recording function 4. Backlight 5. Unit switching	
Certificate	CE CPA RoHS Intrinsically Explosion-proof (Optional)	

JC480 Intelligent Digital Pressure Gauge

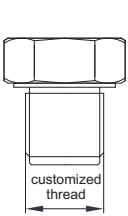
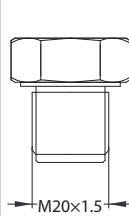
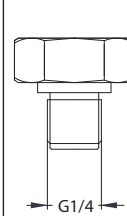
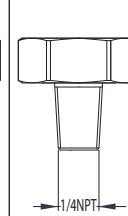
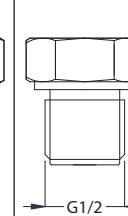
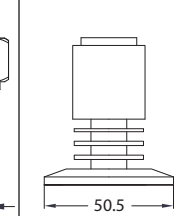
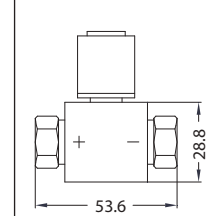
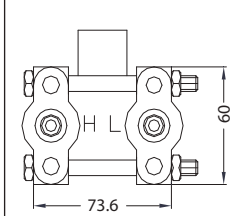
Dimension Drawing: Unit mm



RADIAL



AXIAL

Thread Option							
							

Pressure measuring end structure is different for special thread/range/application

JC480 Intelligent Digital Pressure Gauge

Ordering Information

Model : JC480		
Technical Parameter	Code	Description
Pressure Type	G	Gauge Pressure、 Negative pressure
	A	Absolute pressure
	D	Differential Pressure
Pressure Range		0~ X E.g 0~1MPa
Accuracy	1	±0.4%FS
	2	±0.2%FS
Power Supply	V1	Battery
	V2	24VDC
	V3	220VAC
Dial Size	D2	80mm
Pressure Connection	F1	M20x1.5 male thread
	F2	G1/4 male thread
	F0	Customized
Installation Structure	J	Radial installation (default)
	Z	Axial installation(Power supply)
Additional Selection	S	With recording function
	P	Flush film manometer structure
	R	Anti-corrosion
	E	Intrinsically Explosion-proof
	T	Customized

Model selection example: **JC480G (0~1MPa) -1 -V2-D2-F2-J-S**

Parameter description: JC480 Intelligent digital pressure gauge; Range: 0-1MPa gauge type;Accuracy: 0.5%FS; Power Supply: 24VDC ;Dial Dimensions: 80mm; Pressure connection: G1/4male thread; Installation: Radial installation; With recording function.

Selection tips:

1. Axial installation requires power supply such as 24VDC
2. The Measuring Medium should be compatible with the product materials in contact.
3. There may be unsupported product options, please consult the engineer
4. Battery-powered products are LCD, no signal output option
5. For other special requirements, please consult with the company and indicate in the order

JC4100 Intelligent Digital Pressure Gauge

Application

- Equipment automation
- Engineering machinery
- Medical equipment
- Pumps and compressors
- Energy and heat supply
- Instrumentation
- Pressure laboratory
- Mechanical electronics industry
- Hydraulic and pneumatic system
- Replace pointer precision pressure gauge
- Water treatment system
- Collection, storage and analysis of wellhead pressure data in oilfields and gas fields
- Collection, storage and analysis of pressure data in city water pipeline networks and natural gas pipeline networks
- Laboratory digital communication collects pressure, and realizes data storage and processing on a computer
- Portable pressure measurement, equipment supporting, calibration equipment and other pressure measurement fields



Product Features

- Zero error can be cleared with one click
- USB power supply, battery power dual power supply
- Accuracy level: 0.4 %, 0.2%, 0.1 %
- With percentage scale, visual display of current pressure percentage
- Battery-powered, low-power design can last up to 24 months
- With maximum and minimum record function, used as peak record
- Wide measuring range: from vacuum to 160MPa, display range when starting
- Wide operating temperature range, high comprehensive measurement accuracy, and good long-term stability
- 65 × 43mm large LCD screen, real-time display pressure up to 6 digits
- Standardized design and production ensure the advancedness, practicality and quality stability of the product
- 304 stainless steel frosted case dial diameter 100mm, axial and radial installation options are available
- Instead of pointer precision pressure gauge, it can be used as standard pressure gauge for checking pressure products and equipment
- High-performance sensitive components have excellent resistance to corrosion, impact, overload, vibration, and wear
- 13 kinds of unit switching: MPa、kPa、Pa、psi、bar、kgf/cm²、mbar、mH₂O、mmHg、Torr、atm、mmH₂O,hPa

Product Description

JC4100 Intelligent digital pressure gauge is specially designed for high-end supporting customers with high standards. It uses ultra-high-precision and stable pressure sensors. It is a high-precision low-power intelligent pressure measuring instrument.

JC4100 is equipped with a large-size LCD liquid crystal display with a 5-digit display. It has a variety of functions such as zero clearing, backlight, power on / off, unit switching, low voltage alarm, etc. It is easy to operate and install. Currently passed CE, CPA, Ex explosion, and RoHS certification.

JC4100 is a high-precision pressure gauge with integrated pressure measurement and display. It has the characteristics of anti-vibration, high display accuracy, high stability, clearable, and automatic standby. It is battery-powered. Because it uses a low-power processor chip, it can be powered by 3 AA batteries, and it can also be powered by USB. The battery life is low and the time is long. With automatic standby and one-button clearing functions, it is easy to use and is suitable for pressure measurement fields such as portable pressure measurement, equipment matching, and calibration equipment.

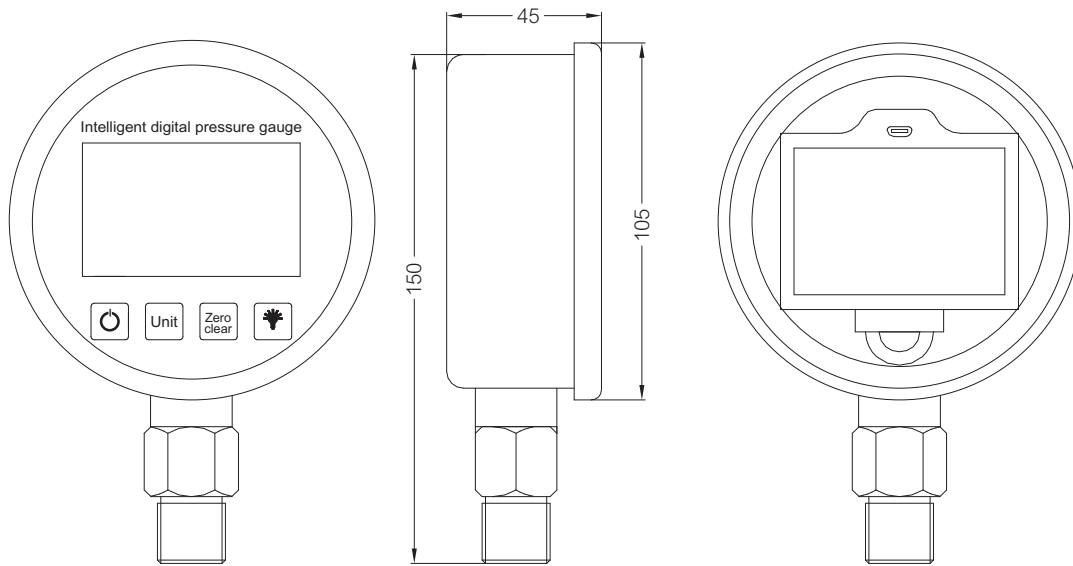
JC4100 Intelligent Digital Pressure Gauge

Performance Parameter

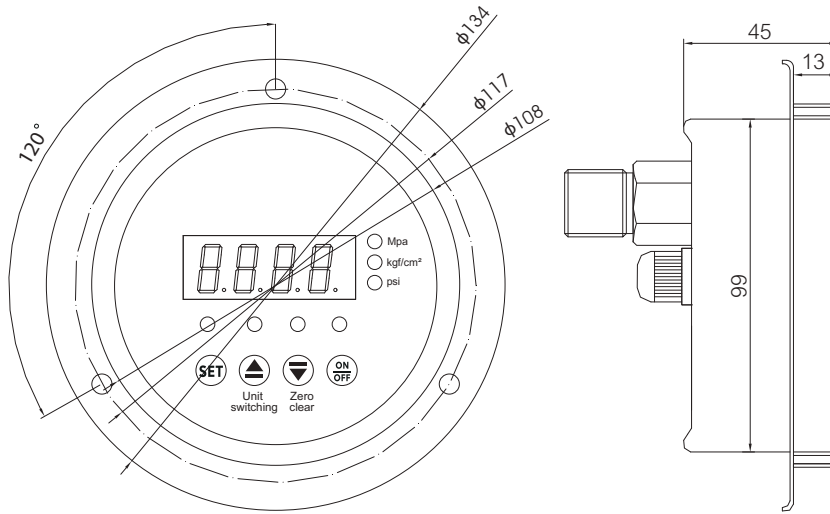
Measuring Range	<p>Micro pressure range: 6kPa...10kPa...25kPa</p> <p>Medium pressure range: 0.4MPa...0.6MPa...4MPa</p> <p>High pressure range: 6MPa...10MPa...25MPa</p> <p>Ultra high pressure range: 40MPa...60MPa...160MPa</p> <p>Composite pressure range: -5kPa ~5kPa...10kPa...-100kPa ~1000kPa</p> <p>Absolute pressure range: 0~100kPa...250kPa...1000kPa</p> <p>Differential pressure range: 0~10kPa...25...40...60...100...250...400...600kPa, 0~1...1.6MPa</p>
Overload Capability	1.5 times full-scale pressure (1.1 times full-scale pressure for $\geq 100\text{MPa}$)
	Diaphragm differential pressure 200%(Positive overpressure); 100%(Negative overpressure); Single crystal silicon differential pressure 16MPa
Pressure Type	Gauge pressure、 Differential pressure , Absolute Pressure
Measuring Medium	Gas or liquid compatible with 316 or 304 stainless steel
Accuracy	$\pm 0.4\%FS$ $\pm 0.2\%FS$ $\pm 0.1\%FS$
Long-term Stability	Typical: $\pm 0.2\%FS$
Working Temperature	-10~ 70 C (High temperature can be customized)
Compensation temperature	0~ 40 C
Power Supply	4.5V (3 AA batteries) or USB power supply, 24VDC, 220VAC, 380VAC (customized)
Power Consumption	<0.005W Battery
Dimension	Diameter 100mm, Thickness 45mm
Back Light	White backlight
Power Display	Four-segment display
Display Digits	5-LCD display
Electromagnetic	Anti-electromagnetic interference design, in accordance with EN61326 standard
Compatibility	IP50(IP54+protective cover)
Shell protection	3 times / second (user adjustable)
Sampling frequency	Permanent EEPROM
Data memory	Approx.0.3kg
Weight	304 stainless steel
Interface and Housing	M20*1.5male G1/4male NPT1/4male
Installation Interface	The battery is usually replaced every 12--24 months (based on actual power consumption)
Battery replacement	1. 1. Power on / off 2. One-click reset 3. Peak record 4. Backlight
Features	2.5. Unit switching 6. Pressure percentage display
Certificate	CE CPA RoHS Intrinsically Explosion-proof (Optional)

JC4100 Intelligent Digital Pressure Gauge

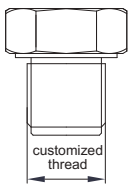
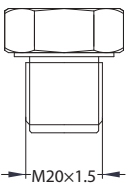
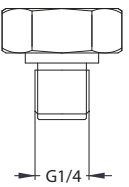
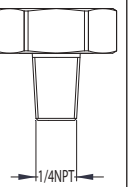
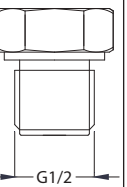
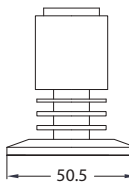
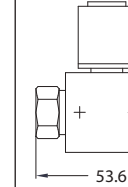
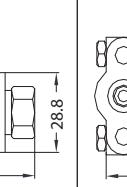
Dimension Drawing: Unit mm



RADIAL



AXIAL

Thread Option							
							
customized thread	M20x1.5	G1/4	1/4NPT	G1/2	50.5	53.6	73.6

Pressure measuring end structure is different for special thread/range/application

JC4100 Intelligent Digital Pressure Gauge

Ordering Information

Model : JC4100		
Technical Parameter	Code	Description
Pressure Type	G	Gauge Pressure、 Negative pressure
	A	Absolute pressure
	D	Differential Pressure
Pressure Range		0~ X E.g: 0~1MPa
Accuracy	1	±0.4%FS
	2	±0.2%FS
	3	±0.1%FS
Power Supply	V1	Battery powered
	V	USB powered
	V2	24VDC Axial installation
	V3	220VAC Axial installation
Dial Size	D3	100mm
Pressure Connection	F1	M20x1.5 male thread
	F2	G1/4 male thread
	F0	Customized
Installation Structure	J	Radial installation (default)
	Z	Axial installation(Power supply)
Additional Selection	P	Flush film manometer structure
	R	Anti-corrosion
	E	Intrinsically Explosion-proof
	T	Customized

Model selection example: **JC4100G (0~1MPa) -1-V2-D3-F2-J**

Parameter description: JC4100 Intelligent digital pressure gauge; Range: 0-1MPa gauge type;Accuracy: 0.4%FS; Power Supply: 24VDC ; Dial Dimensions: 100mm; Pressure connection: G1/4 male thread; Installation: Radial installation.

Selection tips:

1. Axial installation requires power supply such as 24VDC
2. The Measuring Medium should be compatible with the product materials in contact.
3. There may be unsupported product options, please consult the engineer
4. Battery-powered products are LCD, no signal output option
5. For other special requirements, please consult with the company and indicate in the order

JC4105 High-precision Intelligent Digital Pressure Gauge

Application

- Equipment automation
- Engineering machinery
- Medical equipment
- Pump and compressor
- Energy and heat supply
- Instrumentation
- Pressure laboratory
- Mechanical electronics industry
- Hydraulic and pneumatic systems
- Replace pointer precision pressure gauge
- Water treatment system
- Portable pressure measurement, equipment supporting, calibration equipment and other pressure measurement fields



Product Features

- Adjustable sampling rate
- RS485 signal output
- Zero error can be cleared with one click
- Timer automatic shutdown function
- 5-digit digital display, dual screen design
- Ultra-precision design 0.05 % / 0.1 % optional
- AA battery-powered, life time over 3600 hours
- Can display real-time pressure and current temperature / extreme value at the same time
- Wide measuring range: from vacuum to 160MPa, display range when starting
- With maximum and minimum record function, used as peak record
- Wide operating temperature range, high comprehensive measurement accuracy, and good long-term stability
- 304 stainless steel dial with 105mm outer diameter, 55x55mm large size LCD screen
- Standardized design and production ensure the advancedness, practicality and quality stability of the product
- Instead of pointer precision pressure gauge, it can be used as standard pressure gauge for checking pressure products and equipment
- One-key switch of 10 units MPa , kPa , psi , bar , Pa, mbar , mmHg, mH₂O , Torr , kgf / cm²
- Sensitive components have excellent anti-corrosion, anti-impact, and overload, anti-vibration, anti-wear performance

Product Description

JC4105 high-precision intelligent digital pressure gauge is specially designed for high-end supporting customers with high standards. It uses ultra-high-precision and stable pressure sensors. It is a high-precision low-power intelligent pressure measuring instrument.

JC4105 uses a 105mm dial 55x55mm ultra-large LCD screen, and the frequency division display of the main screen and the sub-screen at the same time, while displaying real-time pressure, it can simultaneously display site temperature, maximum pressure, minimum pressure and other reference data . It has many functions such as zero reset, backlight, power on / off, unit switching, low voltage alarm, etc. It is easy to operate and install. Currently passed CE 、 CPA 、 Ex-explosion 、 RoHS certifications.

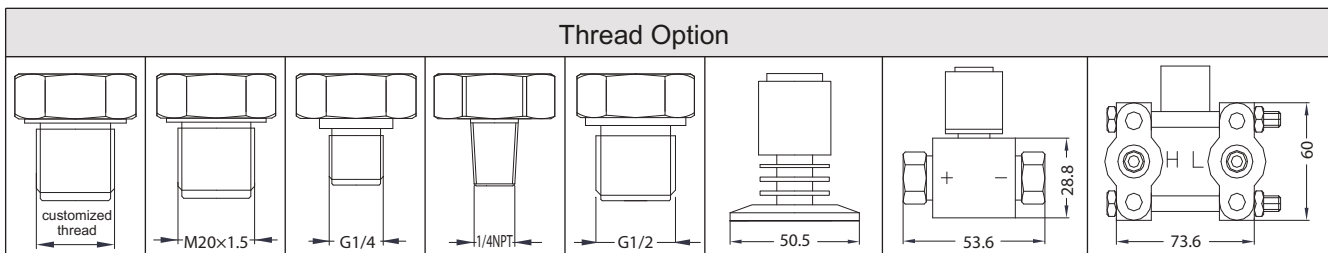
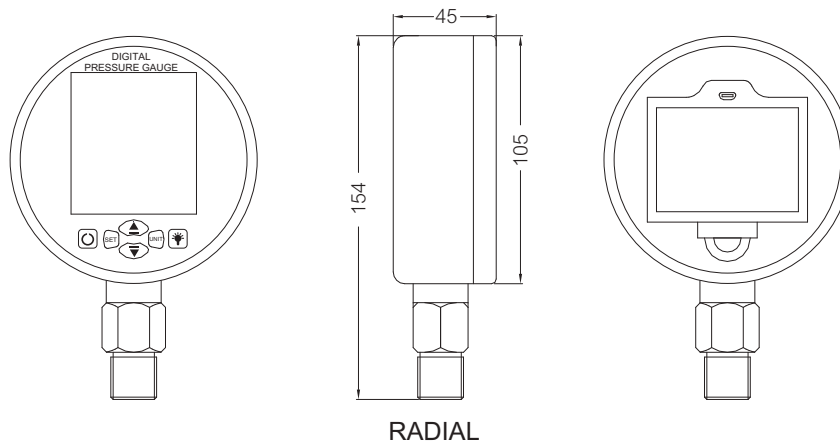
JC4105 is a high-precision pressure gauge with on-site temperature and pressure measurement and display. It has the characteristics of anti-vibration, high display accuracy, high stability, zeroing, and automatic standby. It is preset 10 common pressure units to choose from, with adjustable pressure collection rate, displayed battery power. The product is also equipped with USB external power supply and battery dual power supply mode, powered by 3 AA batteries, using ultra-low Power consumption design, can last more than 3600 hours. Adopting high-precision ADC and high-speed microprocessor, all digital design, high precision, good stability and beautiful appearance. With automatic standby and one-button reset function, easy to use, suitable for pressure measurement fields such as portable pressure measurement, equipment matching, calibration equipment, etc.

JC4105 High-precision Intelligent Digital Pressure Gauge

Performance Parameter

Measuring Range	Micro pressure range: 1...2.5...25kPa Low pressure range: 40...60...250kPa Medium pressure range: 0.4...0.6...4MPa High pressure range: 6...10...25MPa	Ultra high pressure range: 40...60...160MPa Composite pressure range: -2.5~2.5...5...100~1000kPa Absolute pressure range: 0~10...25...1000kPa Differential pressure range: 0~10kPa...25...40...60...100...250...400...600kPa, 0~1...1.6MPa
Overload Capability	1.5 times full-scale pressure (1.1 times full-scale pressure for $\geq 100\text{MPa}$)	
Pressure Type	Single crystal silicon differential pressure 16Mpa	
Pressure Type	Gauge pressure、 Absolute pressure、 Differential pressure	
Measuring Medium	Gas or liquid compatible with 316 or 304 stainless steel	
Accuracy	$\pm 0.05\%FS$ $\pm 0.1\%FS$	
Long-term Stability	Typical: $\pm 0.1\%FS/\text{year}$	
Temperature display accuracy	0.1 C	
Temperature Accuracy	Better than 0.5 C	
Compensation temperature	0~40 C	
Sampling rate	1-10 times / second can be set	
Working Temperature	-10~50 C	
Power supply	3 AA batteries or USB power supply	
Dimension	Diameter 105mm, Thickness 45mm	
Back Light	White backlight	
Signal Output	Digital output RS485 (customized)	
Display Digits	5-LCD display	
Electromagnetic Compatibility	Anti-electromagnetic interference design	
Shell protection	IP50(IP54+ protective cover)	
Weight	Approx. 0.3kg	
Interface and Housing	304 stainless steel	
Installation Interface	M20*1.5 male G1/4male or customized	
Battery replacement	3600 hours of continuous work (based on actual power consumption)	
Features	1. Power on / off 2. One-click reset 3. Maximum and minimum recording function 4. Backlight 5. Unit switching	
Certificate	CE、 RoHS、 Intrinsically Explosion-proof for option	
Storage temperature	Temperature (-20~60 C) 、 Humidity (0~95%RH)	
Accessories	Portable plastic box, Standard power cord, Rubber protective cover	

Dimension Drawing : Unit mm



Pressure measuring end structure is different for special thread/range /application

JC4105 High-precision Intelligent Digital Pressure Gauge

Ordering Information

Model : JC4105		
Technical Parameter	Code	Description
Pressure Type	G	Gauge pressure, Negative pressure
	A	Absolute pressure
	D	Differential pressure
Pressure Range		0~ X E.g: 0~1MPa
Accuracy	3	±0.1%FS
	4	±0.05%FS
Power Supply	V1	Battery power
	V5	USB
Dial Size	D4	105mm
Pressure Connection	F1	M20x1.5 male thread
	F2	G1/4 male thread
	F0	Customized
Installation Structure	J	Radial installation (default)
Additional Selection	P	Flush film manometer structure
	S	RS485 Output
	R	Anti-corrosion
	E	Intrinsically Explosion-proof

Model selection example: **JC4105G (0~1MPa) -3-V1-D4-F2-J**

Parameter description: JC4105 high-precision intelligent digital pressure gauge; Range: 0-1MPa gauge pressure; Accuracy: 0.1%FS; Output: Battery; Dial Dimensions: 105mm; Pressure connection: G1/4male thread; Installation: Radial installation.

Selection tips:

1. The Measuring Medium should be compatible with the product materials in contact.
2. There may be unsupported product options, please consult the engineer
3. For other special requirements, please consult with the company and indicate in the order

JC418 Intelligent Digital Display Pressure Controller / Switch

Application

- Equipment automation
- Construction machinery
- Medical equipment
- Pump and compressor
- Energy and heat supply
- Instrument and meter supporting
- Pressure laboratory
- Mechanical and Electronic Industry
- Hydraulic and pneumatic system



Product Features

- Protection grade: IP65 (straight out type)
- 4-20mA or RS485 output optional
- 4 LED digital real-time display pressure
- Explosion-proof grade: Exiall CT4 (optional)
- Axial and radial selection of stainless steel dial installation
- One-key switch of various pressure units, one-key reset function
- Three kinds of pressure units are available: MPa, kgf / cm², PSI
- A variety of power supply modes can be selected to meet different site conditions
- Various dials are optional: 60mm, 80mm, 100mm
- Wide range: from vacuum to 200MPa, with positive and negative gauge pressure range
- Various relay signal outputs and all have normally open and normally closed, the alarm point can be set arbitrarily
- Wide working temperature range, high comprehensive measurement accuracy, good long-term stability, fast response and easy adjustment
- Excellent sensitive components have excellent anti-corrosion, anti-impact, and overload, anti-vibration, anti-wear performance
- Multiple controller modes: electric contact mode, double relay mode, controller mode, double relay plus output mode can be freely selected

Product Description

JC418 intelligent digital display pressure switch is specially designed for high-end supporting high-standard customers. It is a high-precision micro-processor-controlled pressure measuring instrument developed and manufactured by our company. The high-precision signal processor sends the pressure signal to the microprocessor. The pressure sensor used is a high-precision, high-stability product compatible with intelligent pressure switch electronic equipment.

JC418 is a kind of intelligent digital display pressure switch with multiple outputs, built-in temperature sensor with temperature compensation, high display accuracy, diverse control output methods, dual relay output, RS485 output, 4-20mA signal output optional. It has the characteristics of simple operation, good seismic resistance, high control accuracy, arbitrary adjustment of the control range, and long service life. The circuit design is excellent and stable, fully considering the complex situation of the automation site, and has a variety of protections such as strong anti-interference, anti-surge protection, anti-reverse protection and so on. Adopt all 304 stainless steel shell and 304 stainless steel joint. The pressure diaphragm adopts 316L stainless steel core, with stable performance, and can be widely used in automatic systems for measuring pressure, such as mechanical chemical industry, automatic control system and so on.

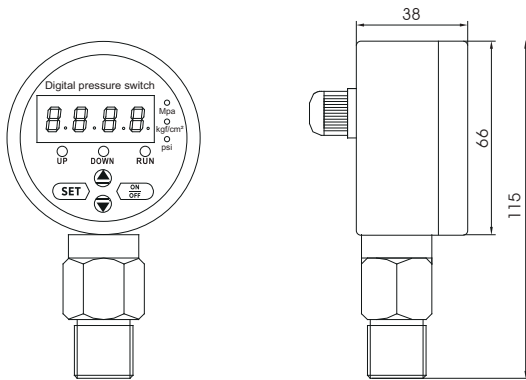
JC418 Intelligent Digital Display Pressure Controller / Switch

Performance Parameter

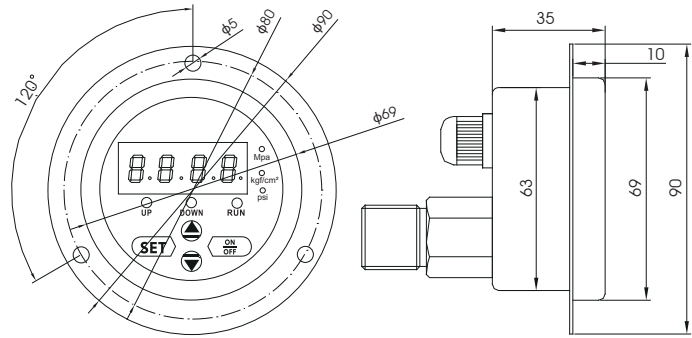
Measuring Range	Micro pressure range: 0~1KPa 5...10...25...40...60...100kPa Normal pressure range: 0~0.25...0.6...1...6...2.5...4MPa High pressure range: 0~6...10...16...25...40...60MPa Ultra high pressure range: 0~100...160MPa...200MPa Absolute pressure range: 0~2KPa、5KPa、10KPa、100KPa、1MPa...3.5MPa Negative pressure range: 0~-1KPa、-10KPa、-20KPa、-30KPa.....-100KPa Composite pressure range: -1KPa~1KPa、-10KPa~10KPa、-100KPa~20MPa Differential pressure range: 0~10...25...40...60...100...250...400...600kPa, 0~1...1.6MPa
Overload Capability	1.5 times full-scale pressure (1.1 times full-scale pressure for ≥ 100 MPa)
Pressure Type	Gauge pressure、Absolute pressure、Differential pressure
Measuring Medium	Gas or liquid compatible with 316 stainless steel
Alarm Point Setting	Full range can be set, anti-fluctuation backlash setting
Control Method	Relay signal-normally open normally closed
Signal Output	Analog output 4~20mA / 1~5VDC Or digital output RS485 (option)
Load Capacity	220VAC 3A、24VDC 3A
Accuracy	$\pm 0.25\%FS$ 、 $\pm 0.5\%FS$ 、 $\pm 1\%FS$
Long-term Stability	Typical: $\pm 0.5\%FS/year$
Working Temperature	-20~80 C (High temperature customization is acceptable)
Compensation temperature	-10~70 C
Power supply	24VDC、220VAC、380VAC (customized)
Electrical Protection	Reverse polarity protection Anti-electromagnetic interference
Installation Interface	M20*1.5、G1/4、NPT1/4 or customized
Electrical connections	Aerial plug or straight out cable (default with cable 0.5m)
Certificate	CE、Intrinsically Explosion-proof for option
Display	4 digits display
Sampling Frequency	5HZ
Shell Protection	IP65 (please add rainproof measures when using it outdoors)
Weight	Approx. 0.3kg
Interface and Housing	304 stainless steel

JC418 Intelligent Digital Display Pressure Controller / Switch

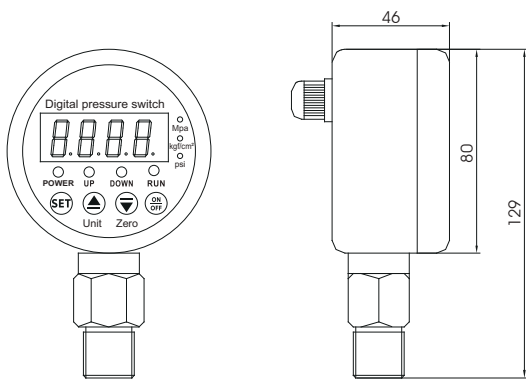
Dimension Drawing: Unit mm



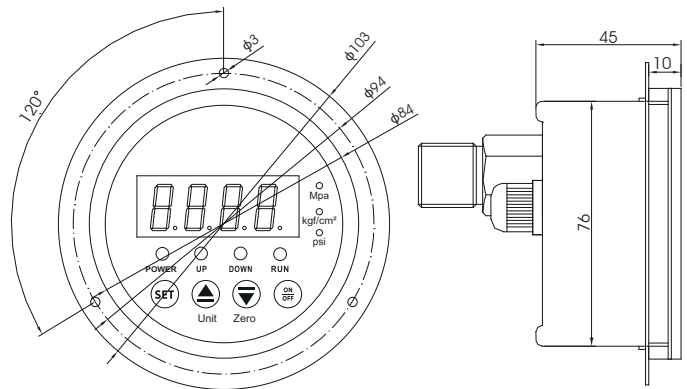
60mm RADIAL



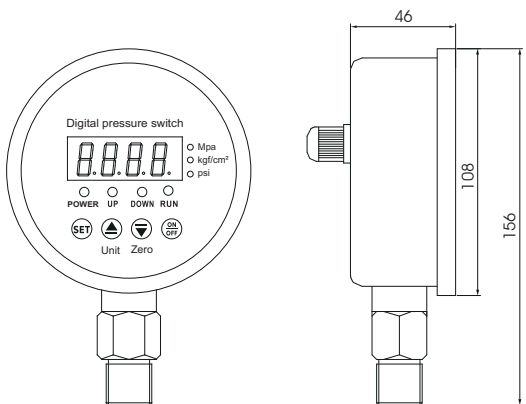
60mm AXIAL



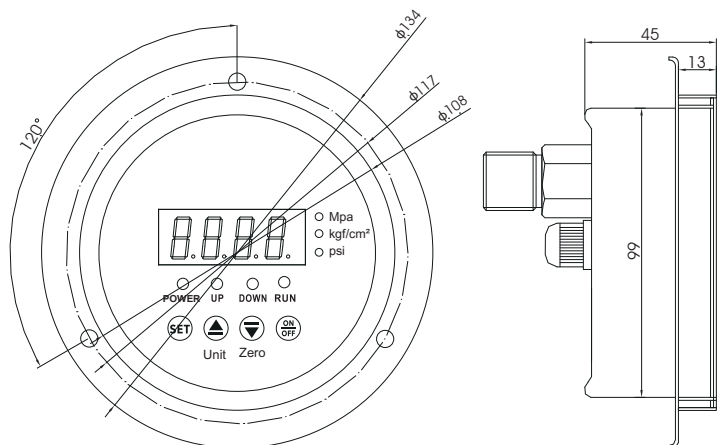
80mm RADIAL



75mm AXIAL

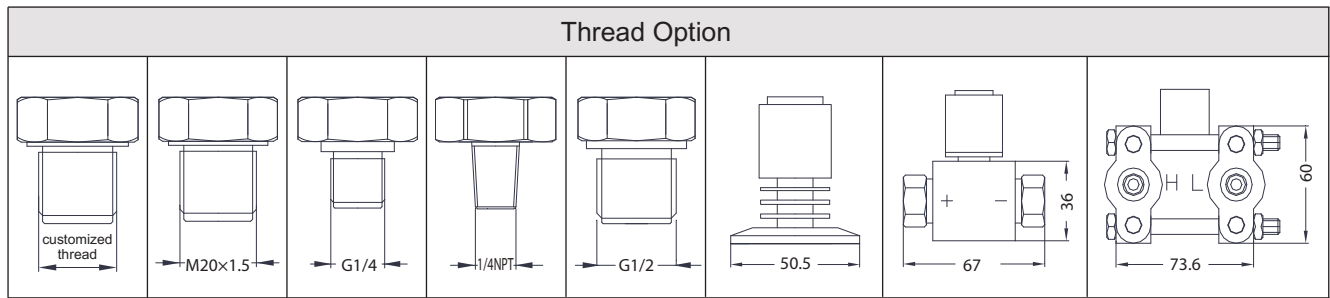


100mm RADIAL



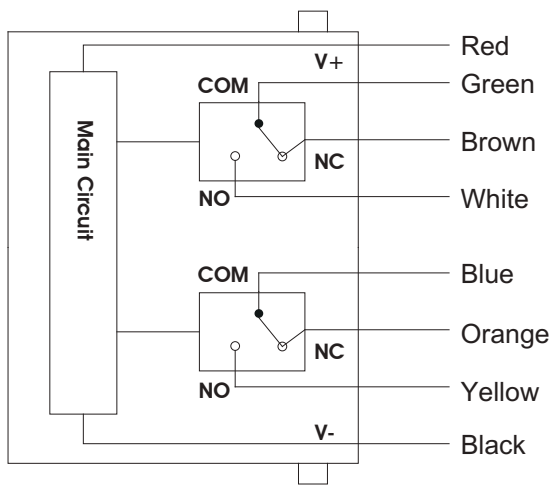
100mm AXIAL

JC418 Intelligent Digital Display Pressure Controller / Switch

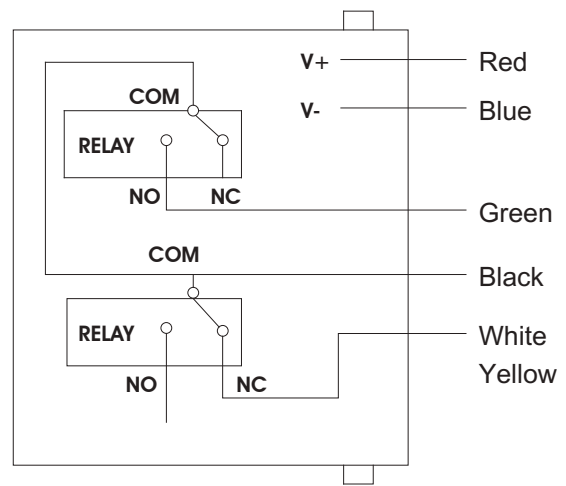


Pressure measuring end structure is different for special thread/range/application

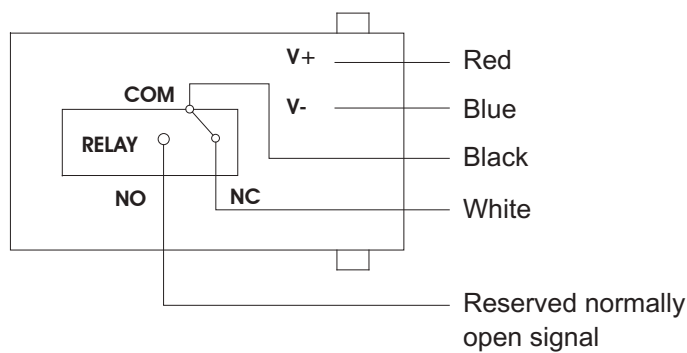
Control type and wiring definition



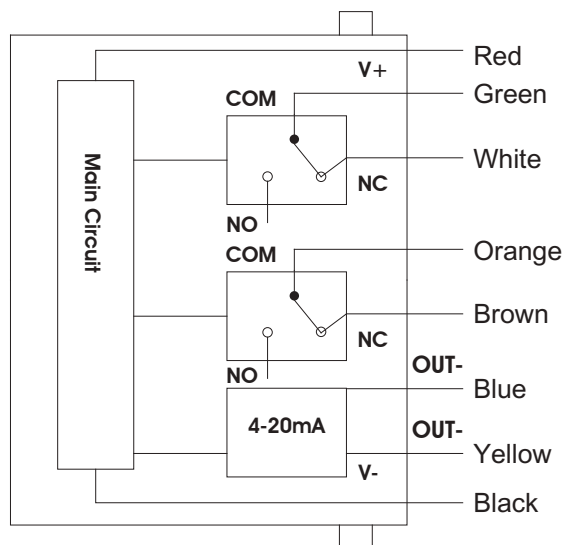
K1: Double relay control type



K2: Electric contact control type



K3: Controller-controlled



K4: Double switch plus current output type

JC418 Intelligent Digital Display Pressure Controller / Switch

Ordering Information

Model : JC418		
Technical Parameter	Code	Description
Pressure Type	G	Gauge pressure, Negative pressure
	A	Absolute pressure
	D	Differential pressure
Pressure Range		00~ X E.g: 0~1MPa
Accuracy	0	±1%FS
	1	±0.5%FS
	2	±0.25%FS
Power Supply	V1	12VDC
	V2	24VDC (default)
	V3	220VAC
	V4	380VAC (Customized)
Dial Size	D1	60mm
	D2	80mm
	D3	100mm
	D0	Customized
Pressure Connection	F1	M20x1.5 male thread
	F2	G1/4 male thread
	F0	Customized
Electrical connection	W1	Lock out straight (with 0.5 meter cable)
	W2	Aviation plug (with 0.5 meter cable)
Installation Structure	J	Radial installation
	Z	Axial installation
Control type	K1	Double relay control type
	K2	Electric contact control type
	K3	Controller-controlled
	K4	Double switch plus current output type
Additional Selection	A1	With 4-20mA signal output
	S1	With RS485 signal output
	D	Intrinsically safe explosion-proof only 24VDC is applicable
	P	Engineering plastic shell (only 80mm dial, no K4 control option)
	T	Special selection requirements

Model selection example: **JC418G (0~1MPa) -1-V2-D2-F2-W1-J-K1**

Parameter description: JC418 intelligent digital display pressure switch; Range: 0-1MPa Gauge; Accuracy: 0.5%FS; Power Supply: 24V DC; Dial size: 80mm; Pressure connection: G1/4 male; Electrical connection: Lock out straight; Installation Structure: Radial installation; Control type: Double relay control

Selection tips:

1. The Measuring Medium should be compatible with the product materials in contact.
2. There may be unsupported product options, please consult the engineer
3. For other special requirements, please consult with the company and indicate in the order

Specifications subject to change without notice. All rights reserved. All corporate names and trademarks stated herein are the property of their respective companies.